

MATCHING: Match the following with the correct formula.1) Area of a rectangle **D**2) Area of a triangle **F**3) Area of a parallelogram **B**4) Area of a trapezoid **E**5) Area of a circle **A**6) Circumference of a circle **C**

A) $\pi \cdot r^2$

B) $b \cdot h$

C) $2 \cdot \pi \cdot r$

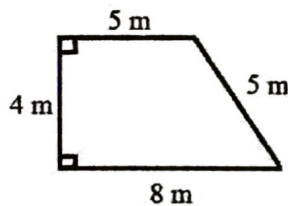
D) $l \cdot w$

E) $\frac{(b_1 + b_2) \cdot h}{2}$

F) $\frac{b \cdot h}{2}$

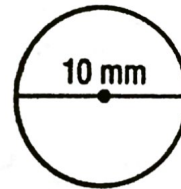
SHOW ALL OF YOUR WORK. Round your answers to the nearest tenth, if necessary. Don't forget to label your answers with the appropriate measurements.

7) Find the area of the given polygon.



26 m^2

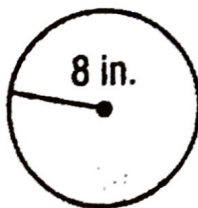
8) Find the area and circumference of the given circle.



A = 78.5 mm^2

C = 31.4 mm

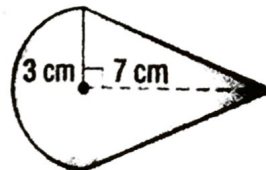
7) Find the area and circumference of the given circle.



A = 201.1 in^2

C = 50.3 in

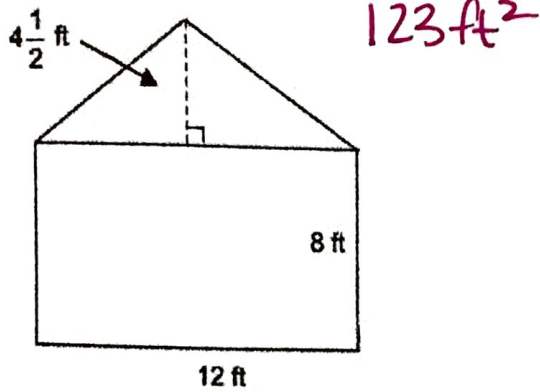
9) Find the area of the composite figure.



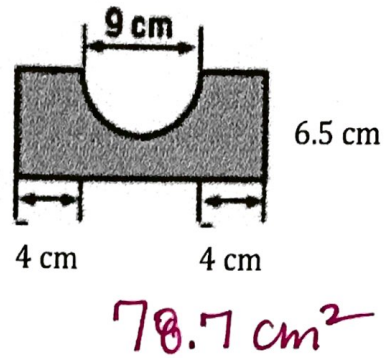
35.1 cm^2

SHOW ALL OF YOUR WORK. Round your answers to the nearest tenth, if necessary. Don't forget to label your answers with the appropriate measurements.

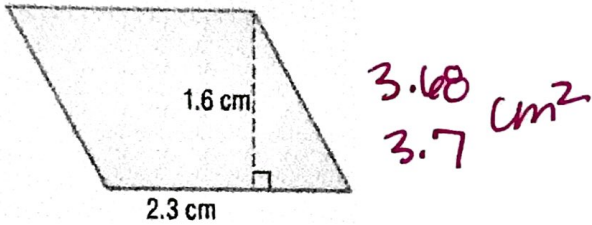
10) Find the area of the composite figure.



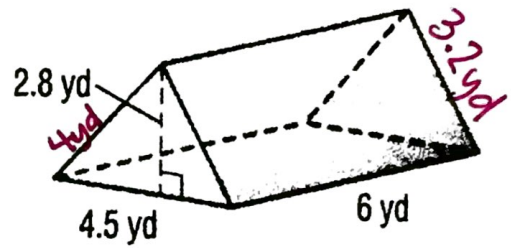
14) Find the area of the shaded region.



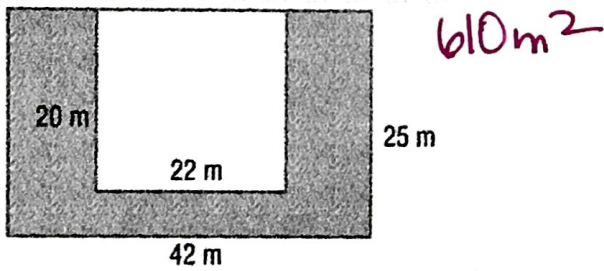
11) Find the area of the following polygon.



15) Find the volume and surface area of this triangular prism.

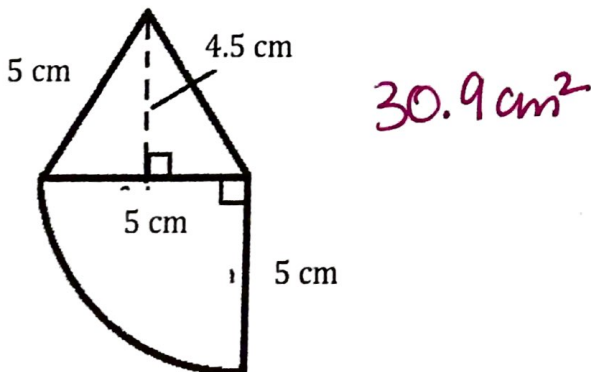


12) Find the area of the shaded region.



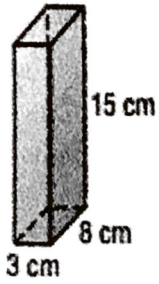
SA = 82.8 yd^2 V = 37.8 yd^3

13) Find the area of the composite figure.



SHOW ALL OF YOUR WORK. Round your answers to the nearest tenth, if necessary. Don't forget to label your answers with the appropriate measurements.

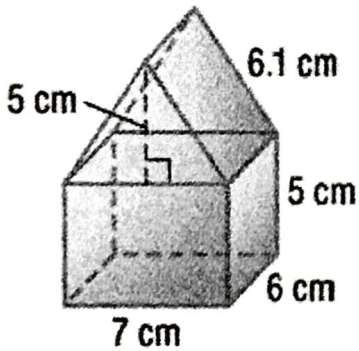
16) Find the surface area and volume of this rectangular prism.



SA = 378 cm²

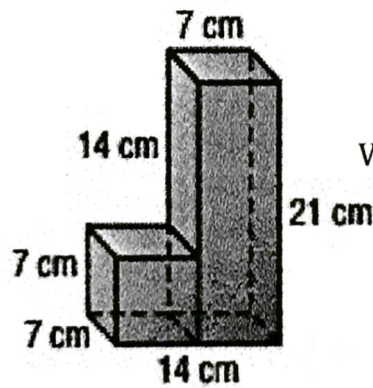
V = 360 cm³

17) Find the volume of the given figure.



V = 315 cm³

18) Find the volume of the given figure.



V = 1372 cm³

SHOW ALL OF YOUR WORK. Round your answers to the nearest tenth, if necessary. Don't forget to label your answers with the appropriate measurements.

19) You have 200 square foot tiles. You want to use all of them to tile different shaped rooms. If the area of each room is exactly 200 square feet, find each missing measurement.

a. Rectangle Room: the length of the room is 25 feet. What would the width be?

8 ft

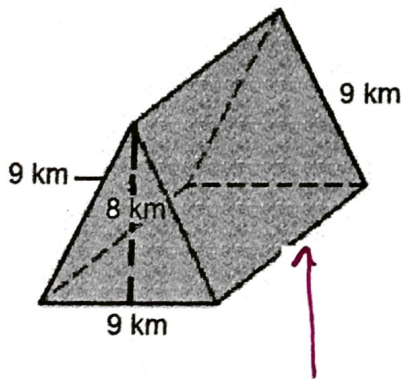
b. Triangle Room: the base of the triangle is 10 feet. What is the height?

40 ft

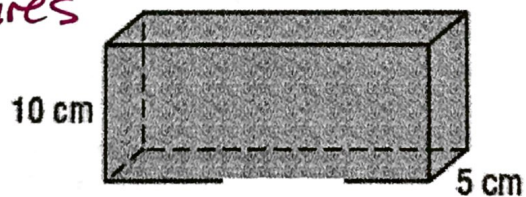
c. Trapezoid Room: the first base is 15 feet long. The second base is 35 feet long. What is the height of the trapezoid?

8 ft

20) If the volume of the following rectangular prism is $1,200 \text{ cm}^2$, what is the length of the prism?



21) If the volume of the following triangular prism is 432 km^2 , what is the height of the prism?



height of prism = 12 km

length = 24 cm