

HW 6-8

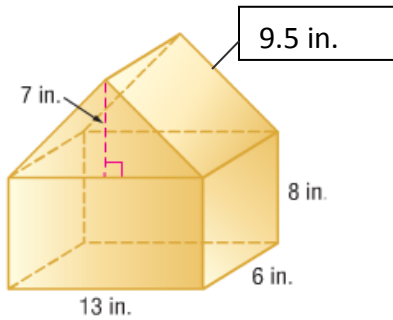
Int 1

Volume Of Composite Figures

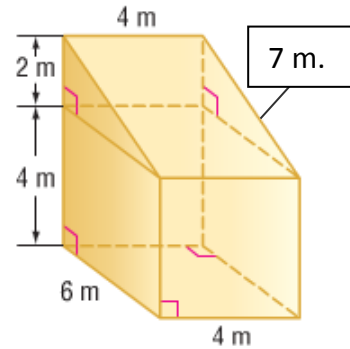
Unit 6

Find the **VOLUME** of each composite figure. Round answers to the nearest tenth when necessary. Don't forget to label your answers with the appropriate unit of measure. **SHOW YOUR WORK!** You will be graded on answers and work.

1)



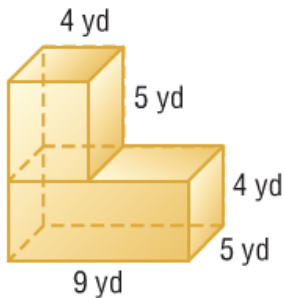
2)



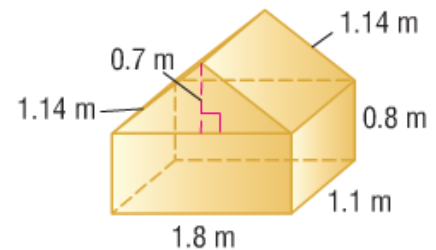
Vol. of shape #1= _____
Vol. of shape #2= _____
Total Volume = _____

Vol. of shape #1= _____
Vol. of shape #2= _____
Total Volume = _____

3)



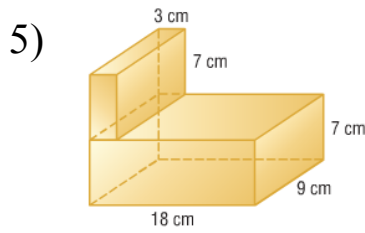
4)



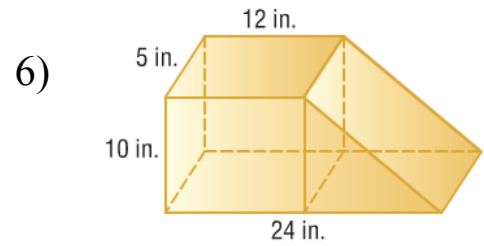
Vol. of shape #1= _____
Vol. of shape #2= _____
Total Volume = _____

Vol. of shape #1= _____
Vol. of shape #2= _____
Total Volume = _____

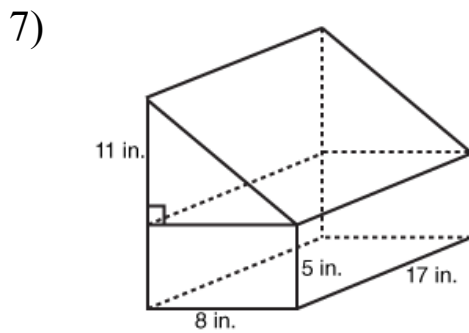
Find the **VOLUME** of each composite figure. Round answers to the nearest tenth when necessary. Don't forget to label your answers with the appropriate unit of measure. **SHOW YOUR WORK!** You will be graded on answers and work.



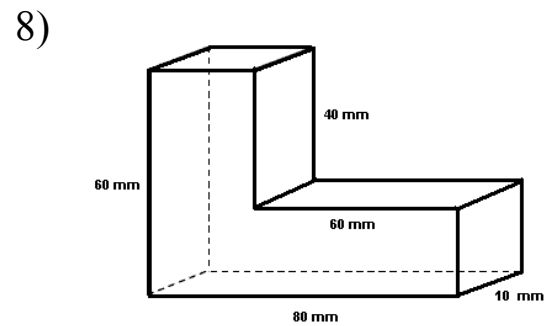
Vol. of shape #1= _____
Vol. of shape #2= _____
Total Volume = _____



Vol. of shape #1= _____
Vol. of shape #2= _____
Total Volume = _____

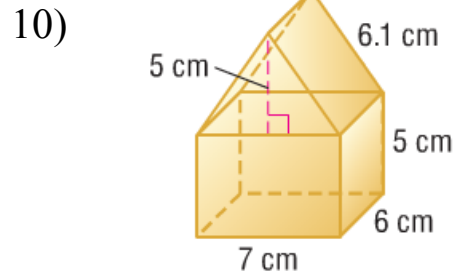
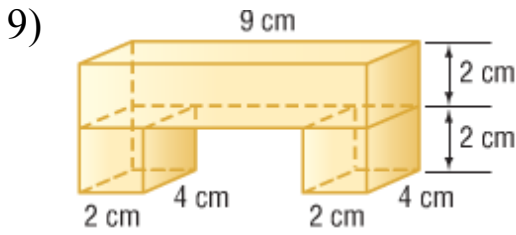


Vol. of shape #1= _____
Vol. of shape #2= _____
Total Volume = _____



Vol. of shape #1= _____
Vol. of shape #2= _____
Total Volume = _____

Find the **VOLUME** of each composite figure. Round answers to the nearest tenth when necessary. Don't forget to label your answers with the appropriate unit of measure. **SHOW YOUR WORK!** You will be graded on answers and work

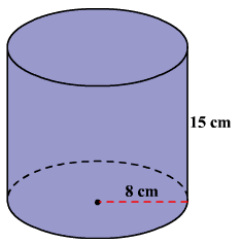


Vol. of shape #1= _____
Vol. of shape #2= _____
Total Volume = _____

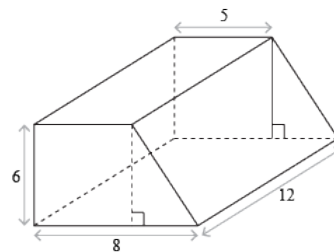
Vol. of shape #1= _____
Vol. of shape #2= _____
Total Volume = _____

EXTRA CREDIT ☺ Find the **VOLUME** of each shape. Round answers to the nearest tenth when necessary. Don't forget to label your answers with the appropriate unit of measure. **SHOW YOUR WORK!** You will be graded on answers and work.

11. Find the volume of the cylinder.



12. Find the volume of the trapezoidal prism.



13. Find the surface area of the composite figure.

(HINT: Do not include the area of the sides where the two shapes touch)

