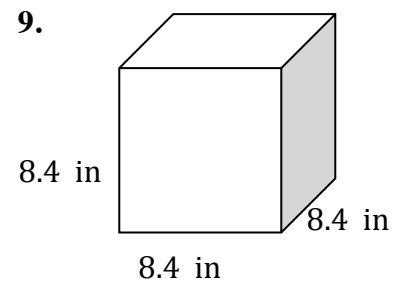
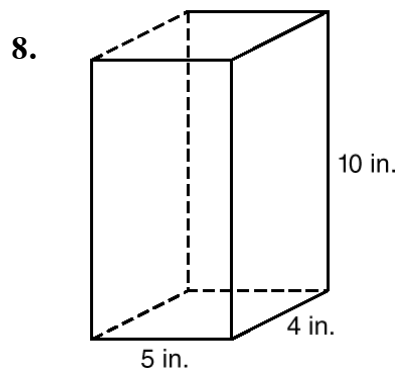
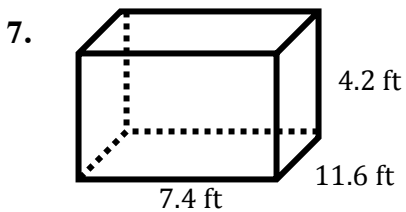
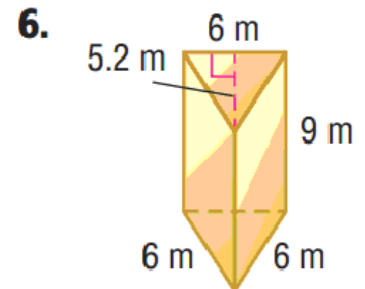
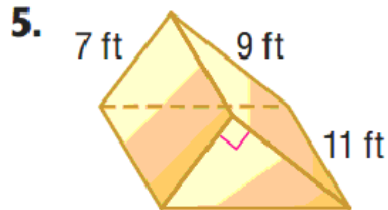
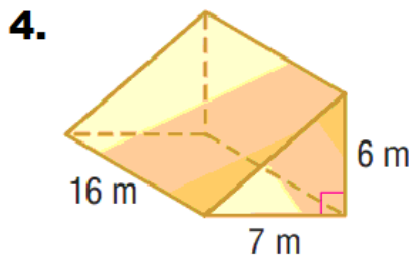
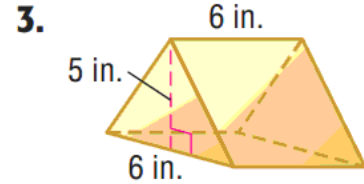
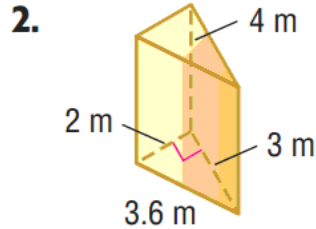
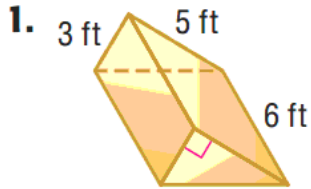


## HW 6-6 A

### Volume

**Int 1****Unit 6**

Find the volume of each prism. Show your calculations and round to the nearest tenth when necessary. Don't forget your units! (FOR CREDIT, SHOW WORK ON ALL QUESTIONS)



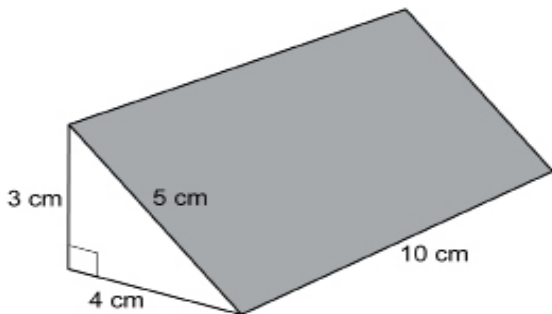
10. Find the volume of a rectangular prism with a length of 30 meters, a width of 11.5 meters, and a height of 8 meters.

11. Find the volume of a cube with a side length of 15 feet.

12. The length of the front of the building shown is 112 feet. The width of the building is 185 feet, and the height of the building is 305 feet. What is the volume of the building?



13. Find the volume of the triangular prism shown.



**Extra Credit:**

For #14 and #15, draw and label two different rectangular prisms that both have a volume of 800 cubic inches.

14.

15.

16. Draw and label a triangular prism whose base is a right triangle and that has a volume of 500 cubic feet.