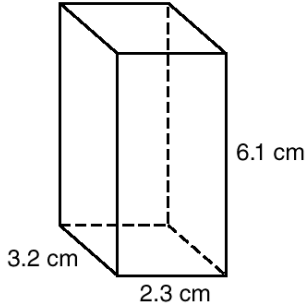


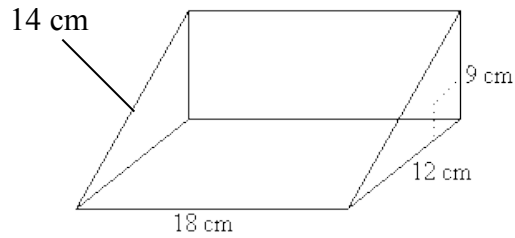
Int 1**HW 6-5 A
Surface Area****Unit 6**

Find the surface area of each solid. Round to the nearest tenth when necessary.

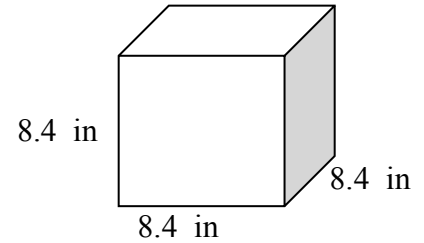
1.



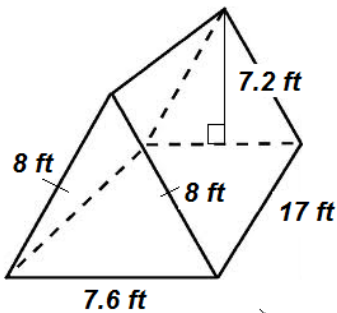
2.



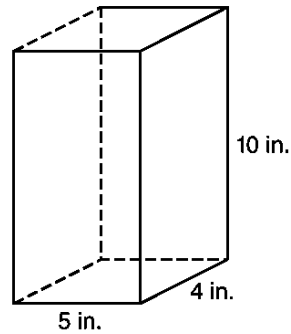
3.



4.



5.



6.

