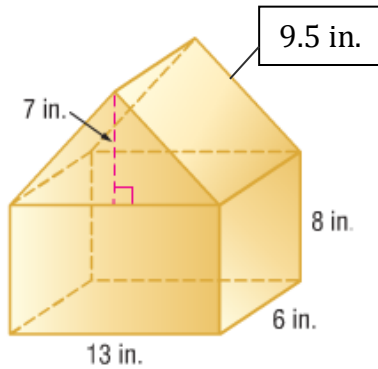


HW 6-8**Surface Area & Volume
Of Composite Figures****Int 1****Unit 6**

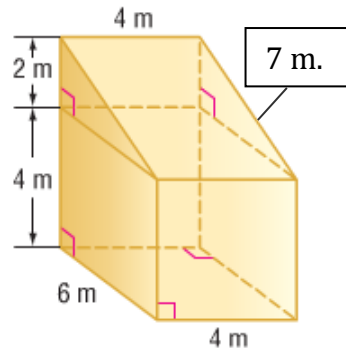
Find the **SURFACE AREA** of each composite figure. Round answers to the nearest tenth when necessary. Don't forget to label your answers with the appropriate unit of measure. **SHOW YOUR WORK!** You will be graded on answers and work.

1)



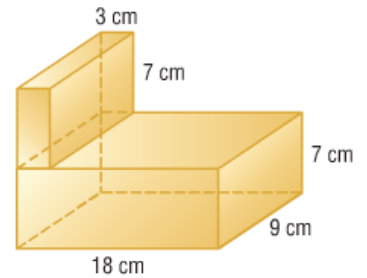
SA= _____

2)



SA= _____

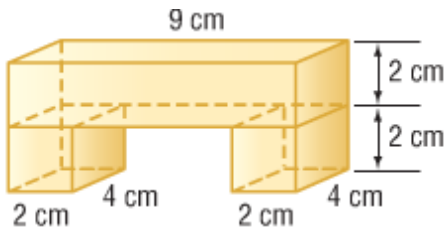
3)



SA= _____

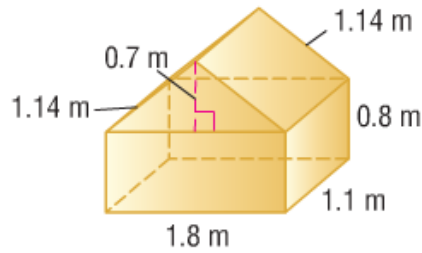
Find the **SURFACE AREA** of each composite figure. Round answers to the nearest tenth when necessary. Don't forget to label your answers with the appropriate unit of measure. **SHOW YOUR WORK!**

4)



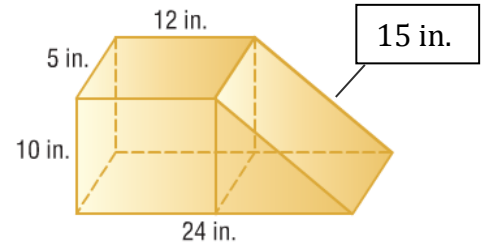
SA= _____

5)



SA= _____

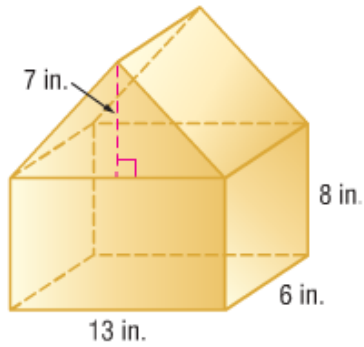
6)



SA= _____

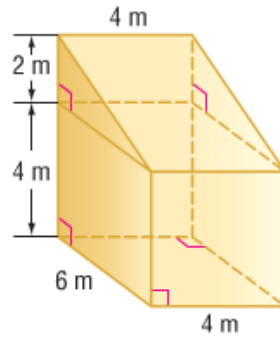
Find the **VOLUME** of each composite figure. Round answers to the nearest tenth when necessary. Don't forget to label your answers with the appropriate unit of measure. **SHOW YOUR WORK!**

7)



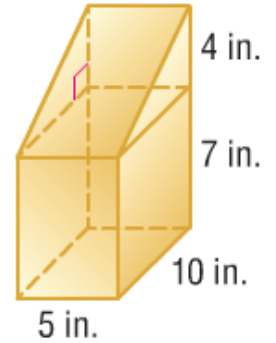
V= _____

8)



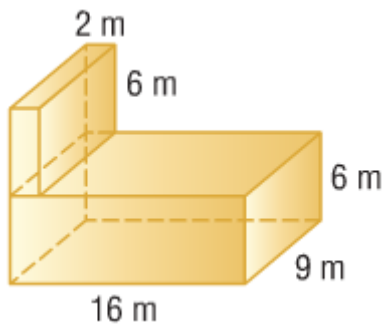
V= _____

9)



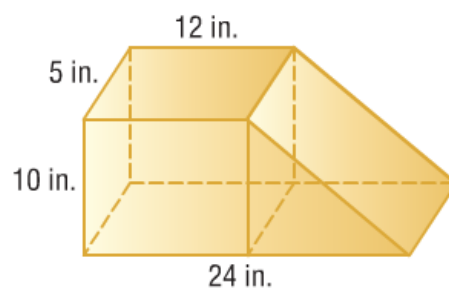
V= _____

10)



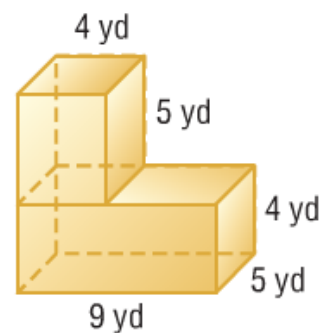
V= _____

11)



V= _____

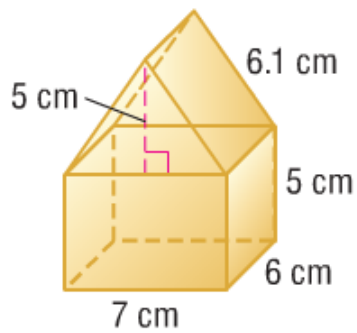
12)



V= _____

Find the volume of the composite figure.

13)

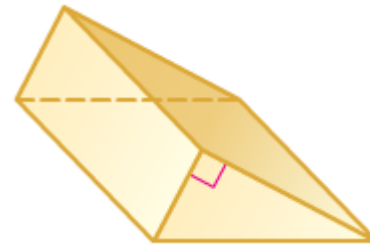


Draw the net drawing of each figure.

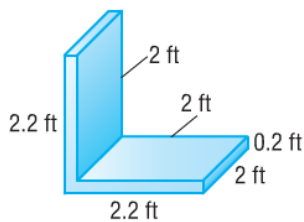
14)



15)



16) What is the volume of the figure below?
Round to the nearest tenth.



- (A) 0.7 ft^3 (C) 17 ft^3
 (B) 1.7 ft^3 (D) 27 ft^3

17) Jaime is covering the boxes shown in felt, including the back and bottom.

What is the total area to be covered with felt?

- (A) 23 in^2 (C) 172 in^2
 (B) 117 in^2 (D) $1,260 \text{ in}^2$

