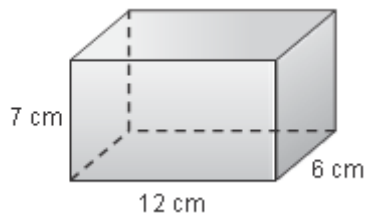


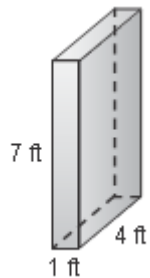
HW 6-7**More Practice of
Surface Area & Volume****Unit 6****Int 1**

Find the **SURFACE AREA** of each figure. **SHOW YOUR WORK** and round all answers to the tenths place when necessary. Don't forget to label your answers with the appropriate unit of measure.

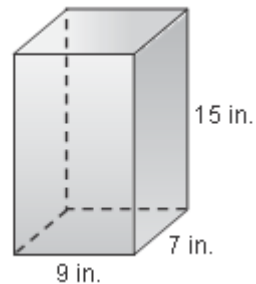
1.



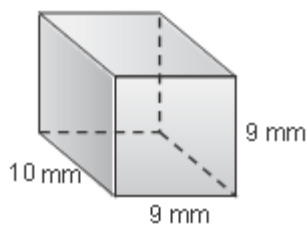
2.



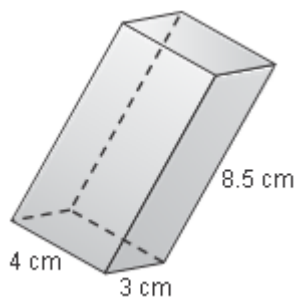
3.



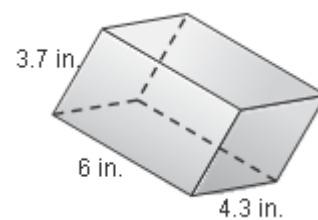
4.



5.

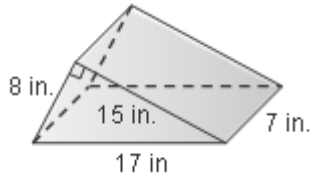


6.

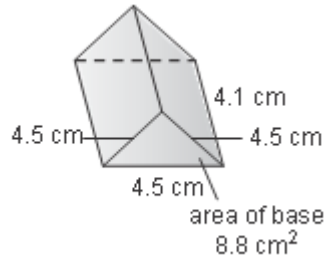


Find the SURFACE AREA of each figure. SHOW YOUR WORK and round all answers to the tenths place when necessary. Don't forget to label your answers with the appropriate unit of measure.

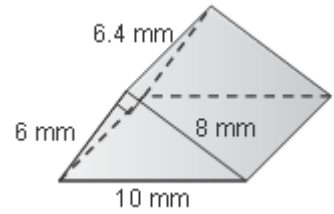
7.



8.

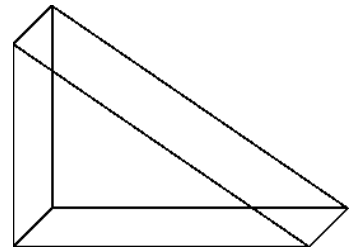


9.



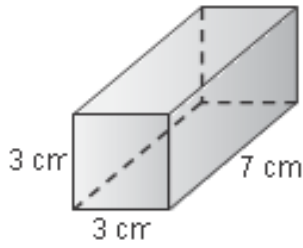
10. Find the surface area of a rectangular prism that has a length of 8 inches, a width of 3 inches and a height of 6 inches.

11. Find the surface area of a triangular prism. The sides of the right triangular base measure 9 centimeters, 12 centimeters and 15 centimeters. The width of the prism is 20 centimeters.

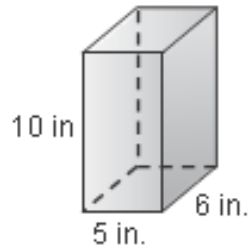


Find the **VOLUME** of each figure. **SHOW YOUR WORK** and round all answers to the tenths place when necessary. Don't forget to label your answers with the appropriate unit of measure.

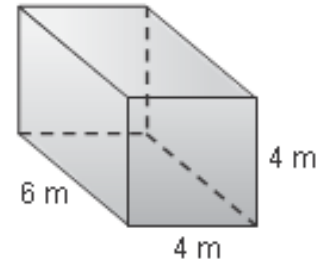
1.



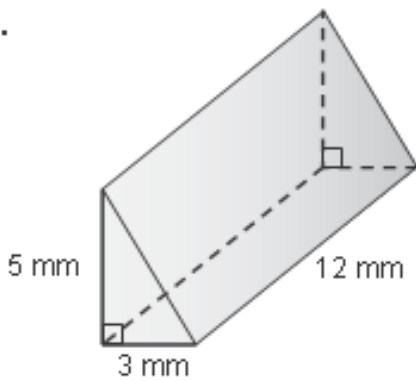
2.



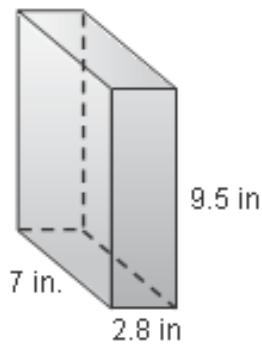
3.



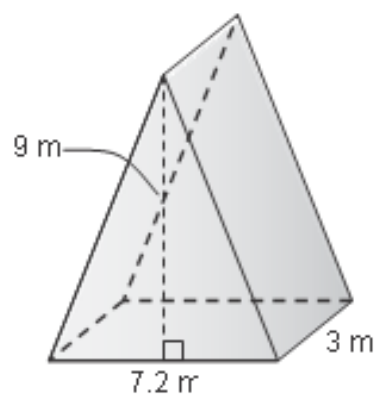
4.



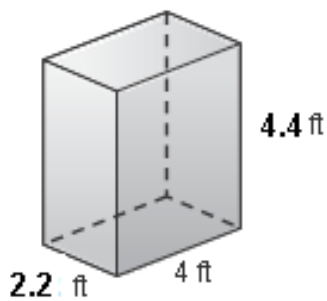
5.



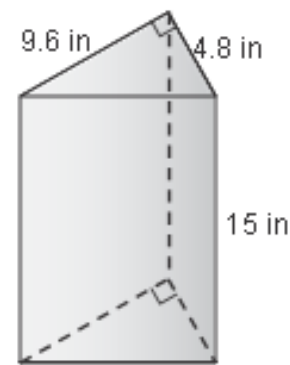
6.



7.



8.



9.

