

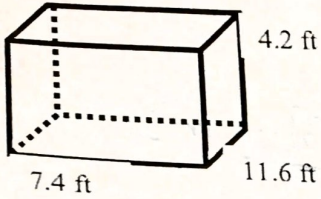
**HW 6-5**  
**Surface Area**

Int 1

Unit 6

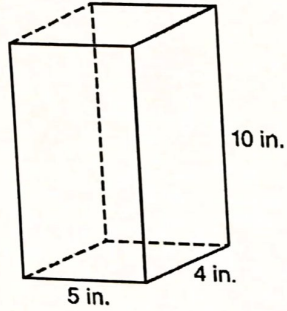
Find the surface area of each solid. Round to the nearest tenth when necessary.

1.

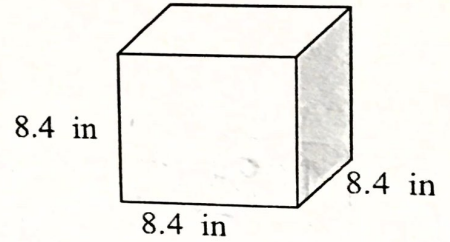


$331.3 \text{ ft}^2$

2.

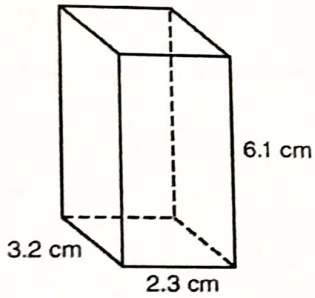


3.

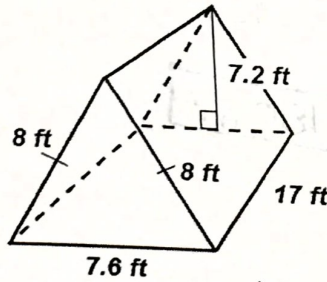


$423.4 \text{ in}^2$

4.

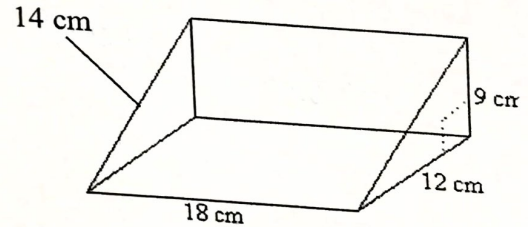


5.



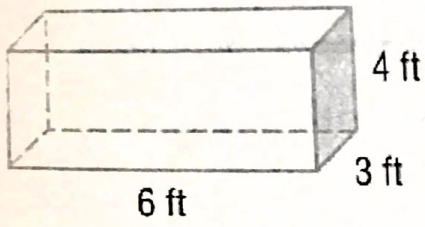
$455.9 \text{ ft}^2$

6.



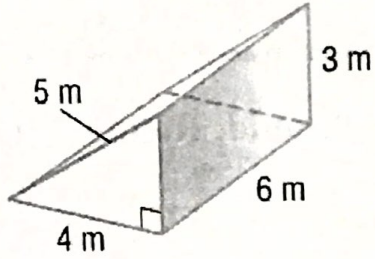
Find the surface area of each solid. Round to the nearest tenth when necessary.

7.

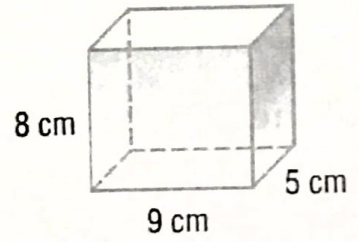


$$108 \text{ ft}^2$$

8.

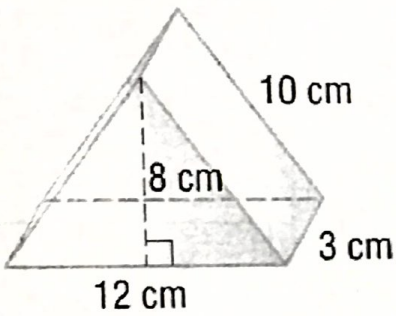


9.

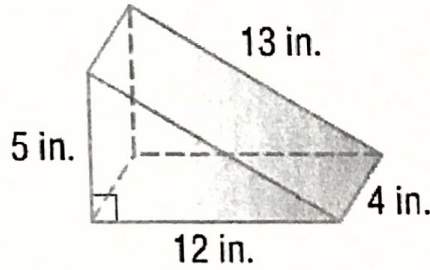


$$314 \text{ cm}^2$$

10.

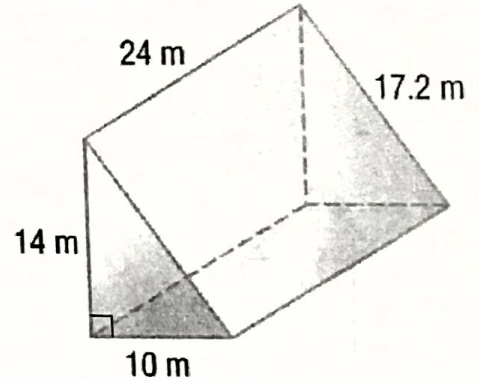


11.



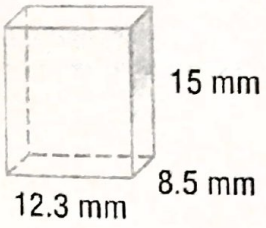
$$180 \text{ in}^2$$

12.



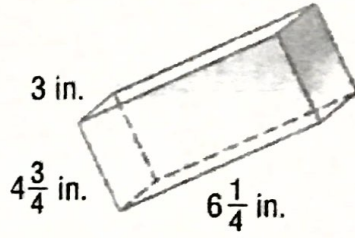
Find the surface area of each solid. Round to the nearest tenth when necessary.

13.

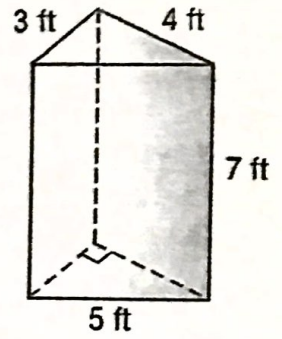


$$833.1 \text{ mm}^2$$

14.

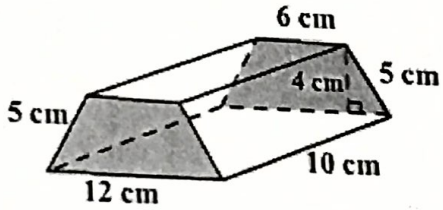


15.

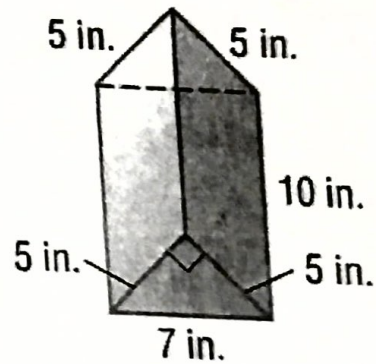


$$96 \text{ ft}^2$$

16.



17.



$$195 \text{ in}^2$$