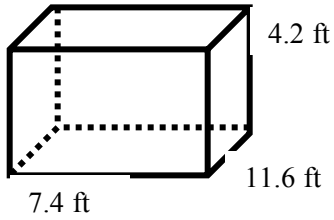


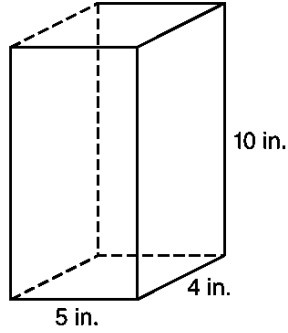
HW 6-5**Int 1****Surface Area****Unit 6**

Find the surface area of each solid. Round to the nearest tenth when necessary.

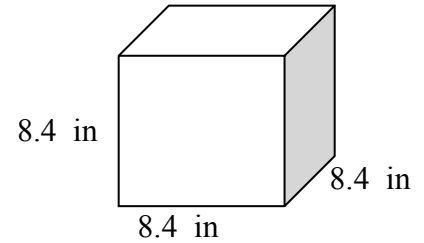
1.



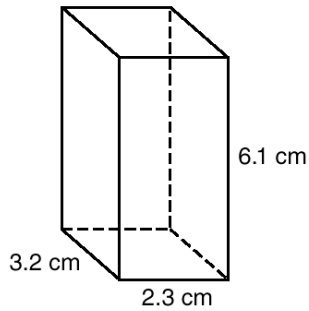
2.



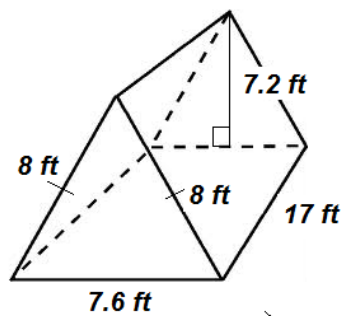
3.



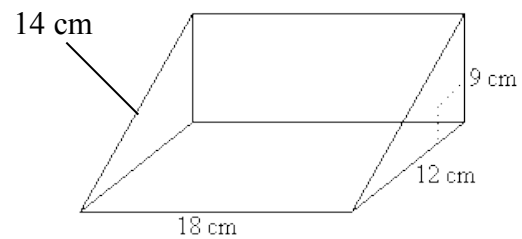
4.



5.

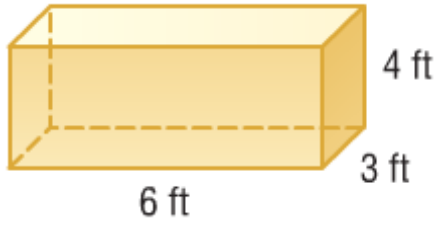


6.

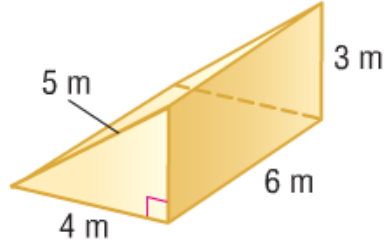


Find the surface area of each solid. Round to the nearest tenth when necessary.

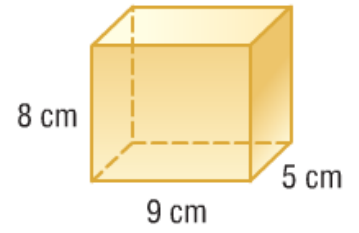
7.



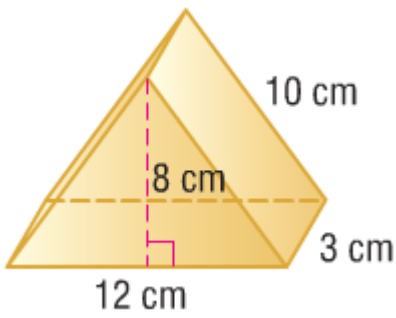
8.



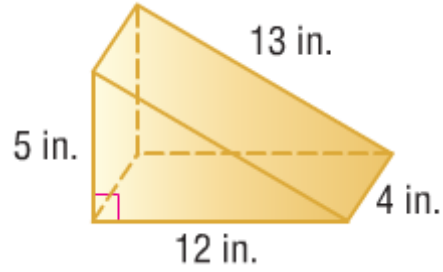
9.



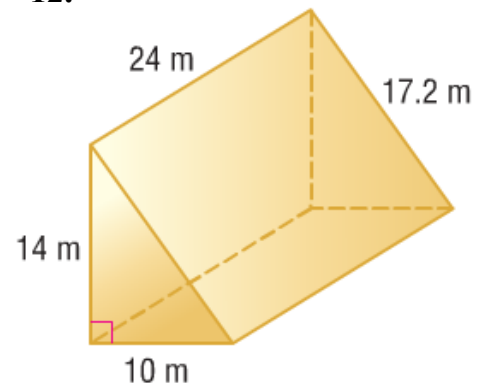
10.



11.

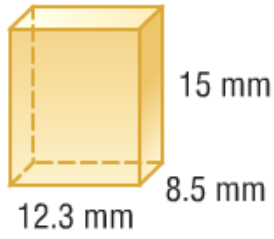


12.

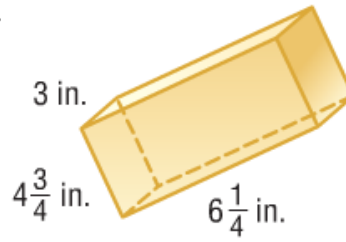


Find the surface area of each solid. Round to the nearest tenth when necessary.

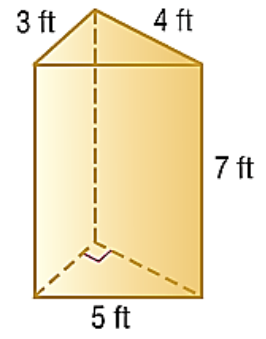
13.



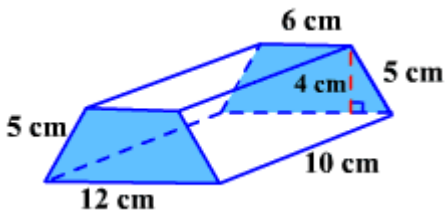
14.



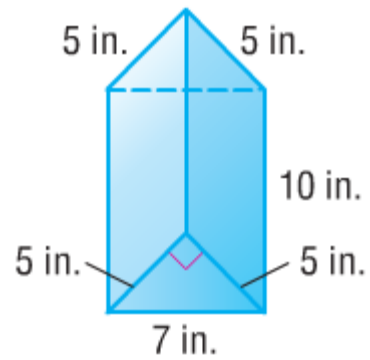
15.



16.

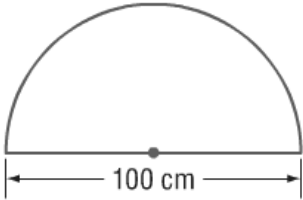


17.



BONUS: Find the total distance around each figure. Include all solid lines in your answer.

18.



19.

